

SUBMITTAL COVER PAGE

PROJECT: Laramie County Community College
1125 Boulder Drive
Laramie, WY 82070

SUBMITTAL: Toilet Accessories

- Paper Towel Dispenser, Kimberly-Clark #09765
- Grab Bar, B-6806
- Toilet Paper Holder, B-2888
- Sanitary Napkin Disposal, B-270
- Napkin/Tampon Vendor, B-352 25
- Soap Dispenser, B-2112
- Mop Holder, B-224
- Waste Receptacle, B-5277

Please review and advise if alternates requested.

Alternate Toilet Accessories

- Paper Towel Dispenser, Gamco TD-11RP
- Waste Receptacle, B-2260

TAYLOR KOHRS

10801-1

These drawings checked for general compliance with plans and specifications. Final responsibility for above lies with supplier.

NTB

Approved by

10/6/05

date



Toilet Partitions & Accessories
Office Workstations & Furniture

- Home
- Brands
- Rubbermaid Sheds
- Categories
- Stores
- U.S. Military

Janitorial Supplies

- [Air Freshener & Odor](#)
- [Brooms & Brushes](#)
- [Carts, Cabinets, Etc.](#)
- [Chemicals](#)
- [Facility Maintenance](#)
- [First Aid & Safety](#)
- [Floor & Carpet Care](#)
- [Floor Pads & Sponges](#)
- [Food Service](#)
- [Hand Wipes & Rags](#)
- [Mops & Buckets](#)
- [Sheds & Structures](#)
- [Soaps & Dispensers](#)
- [Squeegee & Matting](#)
- [Tissues & Dispensers](#)
- [Training Videos](#)
- [Trash Can Liners](#)
- [Vacuum/Floor Machines](#)
- [Waste Receptacles](#)

Kimberly-Clark In-Sight® Series-i Lev-R-Matic® Roll Towel Dispensers

Description: Automatic feed lets you load with one hand! Eliminates waste by dispensing one 8" diameter roll (up to 1000 ft.) and one 3.5" diameter stub roll (approx. 150 ft.). Easy lever operation. High-impact plastic construction with metal key-operated lock to prevent pilferage. Includes mounting hardware. Translucent cover for refill visibility. 13.5w x 9.8d x 13.3h..

You can buy In-Sight® Series-i Lev-R-Matic® Roll Towel Dispensers and other Kimberly-Clark products online at BettyMills - deep discounts on name brand products!

Buy Online at BettyMills - Click Here!



#09765

See also Gamco TD-11RP

Sponsors

Ads by Goo

Automatic Med-time, Compume Never mis dose again
www.epill.cor

Adhesive Dispense Get More Fluid Cost EFD Catal
www.EFD-inc

MIXPAC® Dispensing adhesive. and mixer.
www.mixpac.

Kimberly-Dispense Paper goo dispensers delivery or
Kimberly-Clai

Auto Tow Tear-n-dry paper tow Reliable Q
www.autoflus

Home

- [Rubbermaid Storage](#)
- [US Military Orders](#)
- [Brand Index](#)
- [Category Index](#)
- [Online Stores](#)

About The BettyMills Company:

BettyMills is one of America's leading suppliers of discount cleaning, maintenance and general supplies - offering low prices on thousands of products for businesses, institutions, cleaning companies, U.S. Military bases, units and personnel worldwide through APO and FPO offices, and consumers who like to buy smart and save big!



Visit their online store today for Kimberly-Clark In-Sight® Series-i Lev-R-Matic® Roll Towel Dispensers and other Roll Towel Dispensers products, Tissues & Dispensers, Maintenance/Safety and much more!

Other Information: In-Sight Series-i Lev-R-Matic Roll Towel Dispensers

[Previous Product](#) | [Next Product](#) | [Product Index](#)

BOBRICK

Technical Data

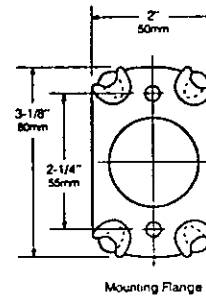
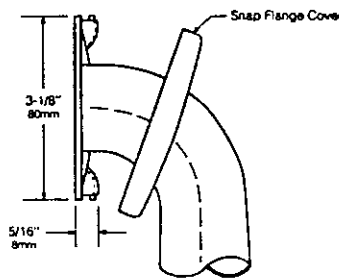
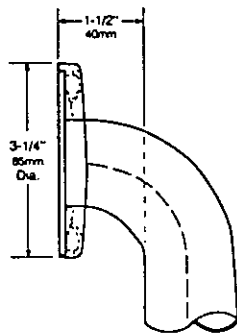
1 1/2" (40mm) DIAMETER STAINLESS STEEL GRAB BARS WITH SNAP FLANGE

B-6806 SERIES

Specify Finish Required:

- Satin finish
- Satin finish with peened gripping surface; add suffix .99 to model number

Please advise.



HORIZONTAL	VERTICAL	HORIZONTAL	TWO-WALL WHEELCHAIR TOILET COMPARTMENT	WALL TO FLOOR WITH OUTRIGGER	WALL TO FLOOR WITH OUTRIGGER
B-6806 x 12, 18, 24, 30, 36, 42, 48		B-68061 x 48	B-68137	B-6818	B-6819

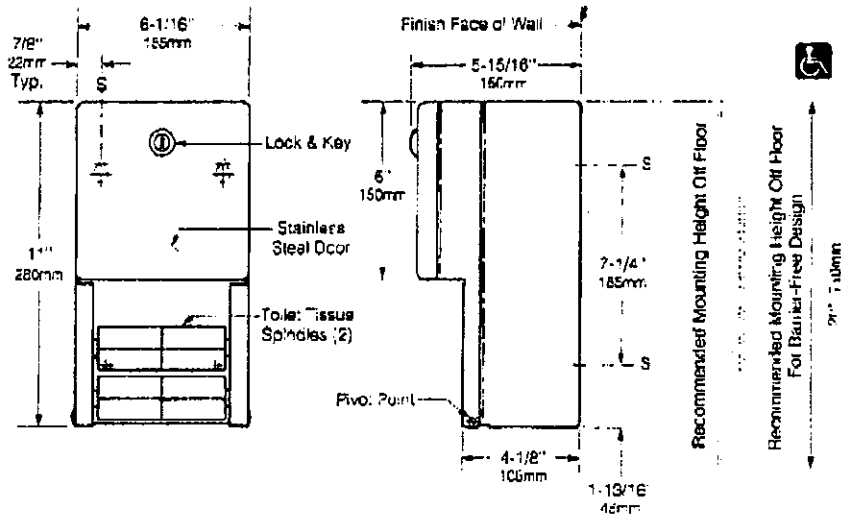
STRADDLE	90° ANGLE	90° ANGLE	HORIZONTAL TUB BAR 24 x 36
B-6828	B-6846	B-6856	B-68616

WALL TO FLOOR WITH SOCKET	HORIZONTAL TWO-WALL BAR for 36 x 36 Shower Stall	WHEELCHAIR TOILET COMPARTMENT
B-6864	B-6861	B-6893

continued ...



Patented



MATERIALS:

Cabinet — 18-8 S, type-304, 22-gauge (0.8mm) stainless steel. All-welded construction. Exposed surfaces have satin finish.

Door — 18-8 S, type-304, 22-gauge (0.8mm) stainless steel with 18-gauge (1.2mm) stainless steel door frame. Exposed surfaces have satin finish. Front of door is drawn, one-piece, seamless construction. Secured to cabinet with two rivets. Equipped with a tumbler lock keyed like other Bobrick washroom accessories.

Dispensing Mechanism, Inner Housing and Cam — 18-8 S, type-304, 18-gauge (1.2mm) stainless steel.

Spindles (2) — Heavy-duty, one-piece, molded ABS. Theft-resistant. Retained in dispensing mechanism when door is locked.

OPERATION:

Unit holds two standard-core toilet tissue rolls up to 5-1/4" (133mm) diameter (1800 sheets). Tissue rolls are loaded and locked into dispensing mechanism. Extra roll automatically drops in place when bottom roll is depleted. Depleted rolls can only be removed after unlocking door.

INSTALLATION:

For partitions with particleboard or other solid core, secure with four #10 x 5/8" (4.8 x 16mm) sheet-metal screws (not furnished) at points indicated by an S, or provide through-bolts, nuts, and washers.

For hollow-core metal partitions, provide backing into which sheet-metal screws can be secured. If two units are installed back-to-back, then provide threaded sleeves and machine screws for the full thickness of partition.

For plaster or dry wall construction, provide concealed backing to comply with local building codes, then secure unit with sheet-metal screws.

For other wall surfaces, provide fiber plugs or expansion shields for use with sheet-metal screws or provide 3/16" (5mm) toggle bolts or expansion bolts.

SPECIFICATION:

Surface-mounted multi-roll toilet tissue dispenser shall be type-304 stainless steel with all-welded construction, including dispensing mechanism, inner housing and cam; exposed surfaces shall have satin finish. Front of toilet tissue dispenser door shall be drawn, one-piece, seamless construction. Door shall be secured to cabinet with two rivets and equipped with a tumbler lock keyed like other Bobrick washroom accessories. Unit shall dispense two standard-core toilet tissue rolls up to 5-1/4" (133mm) diameter (1800 sheets). Extra roll shall automatically drop in place when bottom roll is depleted. Unit shall be equipped with two theft-resistant, heavy-duty, one-piece, molded ABS spindles. Manufacturer's service and parts manual shall be provided to the building owner/manager upon completion of project.

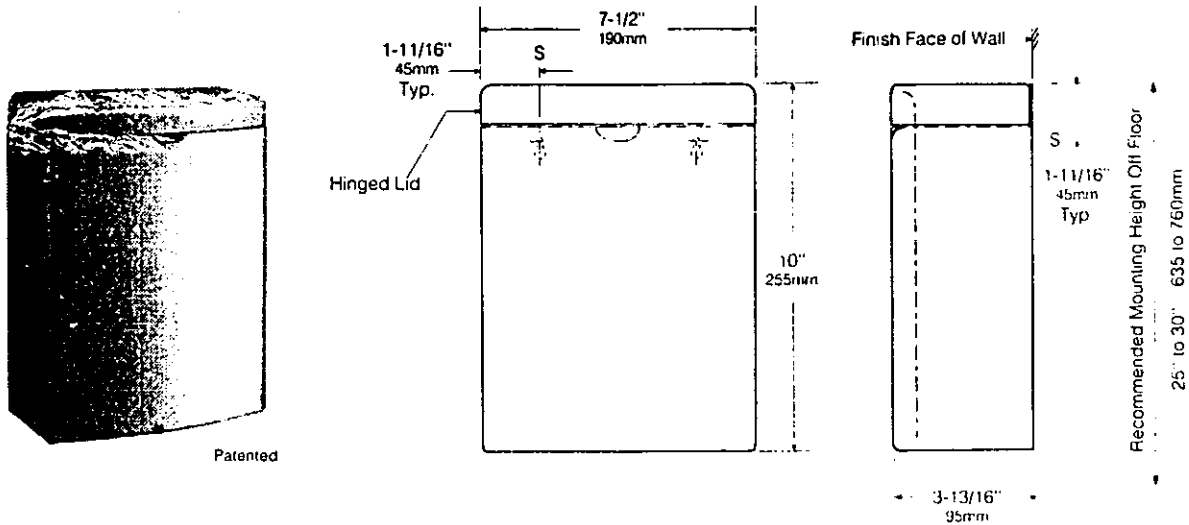
Surface-Mounted Multi-Roll Toilet Tissue Dispenser shall be Model B-2888 of Bobrick Washroom Equipment, Inc., Clifton Park, New York; Jackson, Tennessee; Los Angeles, California; Bobrick Washroom Equipment Company, Scarborough, Ontario; Bobrick Washroom Equipment Pty. Ltd., Australia; and Bobrick Washroom Equipment Limited, United Kingdom.

The illustrations and descriptions herein are applicable to production as of the date of this Technical Data Sheet. The manufacturer reserves the right to, and does from time to time, make changes and improvements in designs and dimensions.

Revised 5/03 Printed in U.S.A.
© 2003 by Bobrick Washroom Equipment, Inc.

BOBRICK

Technical Data

**CONTURA™ SERIES
SURFACE-MOUNTED
SANITARY NAPKIN DISPOSAL****B-270****MATERIALS:**

Container — 18-8 S, type-304, 22-gauge (0.8mm) stainless steel. All-welded construction. Exposed surfaces have satin finish. Integral finger depression for opening cover. Front of container has same degree of arc as front of cover and other Bobrick Contura Series washroom accessories. Radius on side edges of container match corners and edges of cover and other Contura Series accessories.

Cover — 18-8 S, type-304, 22-gauge (0.8mm) stainless steel with satin finish. Drawn, one-piece, seamless construction. Front of cover has same degree of arc as front of container and other Bobrick Contura Series washroom accessories. Radius on corners and edges of cover match side edges of container and other Contura Series accessories. Secured to container with a full-length stainless steel piano-hinge.

OPERATION:

Cover flips up for disposal of sanitary napkins and for servicing container. Disposable paper liners for the container are available as an optional accessory: order Bobrick Part No. 270-12.

INSTALLATION:

For partitions with particle-board or other solid core, secure with two #8 x 3/4" (4.2 x 19mm) sheet-metal screws (not furnished) or provide through-bolts, nuts, and washers.

For hollow-core metal partitions, provide solid backing into which sheet-metal screws can be secured. If two units are installed back-to-back, then provide threaded sleeves and machine screws for the full thickness of partition.

For masonry walls, provide fiber plugs or expansion shields for use with sheet-metal screws, or provide 3/16" (5mm) toggle bolts or expansion bolts.

For plaster or dry wall construction, provide concealed backing to comply with local building codes, then secure unit with sheet-metal screws.

SPECIFICATION:

Surface-mounted sanitary napkin disposal shall be type-304 stainless steel with all-welded construction; exposed surfaces shall have satin finish. Front of sanitary napkin disposal shall have same degree of arc and match other Bobrick Contura™ Series accessories in the washroom. Radius on corners and edges of sanitary napkin disposal shall complement other Bobrick Contura™ Series washroom accessories. Cover shall be drawn, one-piece, seamless construction and secured to container with a full-length stainless steel piano-hinge. Container shall have integral finger depression for opening cover. Manufacturer's service and parts manual shall be provided to the building owner/manager upon completion of project.

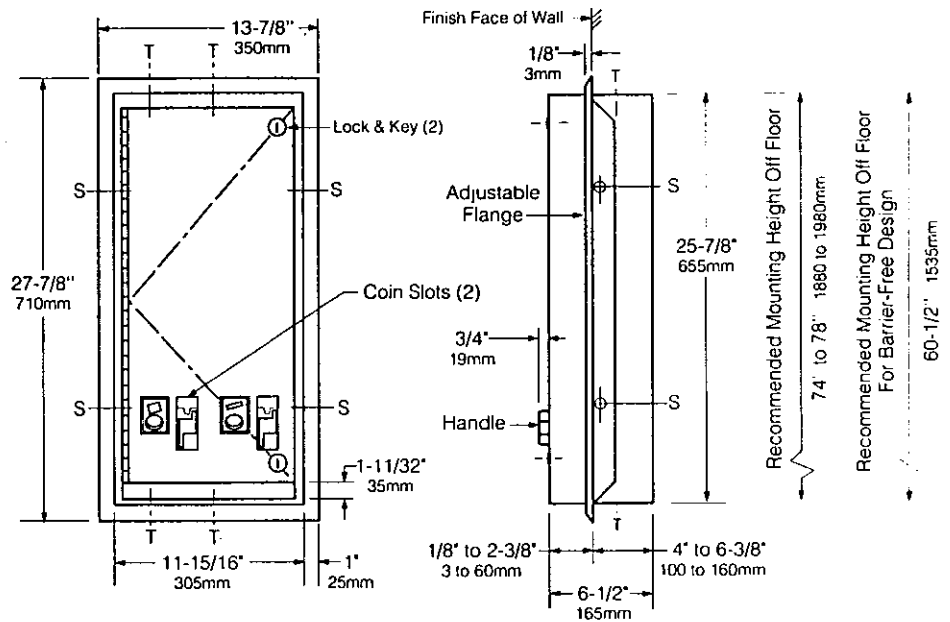
Surface-Mounted Sanitary Napkin Disposal shall be Model B-270 of Bobrick Washroom Equipment, Inc., Clifton Park, New York; Jackson, Tennessee; Los Angeles, California; Bobrick Washroom Equipment of Canada Ltd., Scarborough, Ontario; Bobrick Washroom Equipment Pty. Ltd., Australia; and Bobrick Washroom Equipment Limited, United Kingdom.



Technical Data

RECESSED NAPKIN/TAMPON VENDOR

B-352 25



Rough Wall Opening
12-1/2" (320mm) wide
26-3/8" (670mm) high
4" to 6-1/2"
(102 to 165mm) minimum recessed depth

MATERIALS:

Cabinet — 18-8 S, type-304, 22-gauge (0.8mm) stainless steel. All-welded construction.

Flange — 18-8 S, type-304, 22-gauge (0.8mm) stainless steel with satin finish. Drawn and beveled, one-piece, seamless construction. Adjustable escutcheon-type flange permits semi- or fully recessed installation.

Door — 18-8 S, type-304, 18-gauge (1.2mm) stainless steel with satin finish. Secured to cabinet with a full-length stainless steel piano-hinge. Equipped with two tumbler locks keyed like other Bobrick washroom accessories. Door has no brand-name advertising for products dispensed. International graphic symbols identify products dispensed and coin denomination.

Coin Mechanisms (2) — Single-coin mechanisms for 25¢ operation. Each coin box is equipped with a tumbler lock and opens with different key than furnished for door. Coin mechanisms do not require lubrication. All moving parts are replaceable without removing cabinet from wall.

continued . . .

OPERATION:

After coin is inserted in dispensing mechanism of patron's choice, turning appropriate handle dispenses boxed sanitary napkin or tampon tube. Coin slot of each dispensing mechanism is identified by an international graphic symbol. Capacity: 30 sanitary napkins and 27 tampons. Coin slots are blocked when supply is depleted. Vendor dispenses sanitary napkin packages measuring 3" x 1" x 4-1/4" (75 x 25 x 110mm) and tampon packages measuring 5-1/8" long x 11/16" diameter (130 x 17mm).

INSTALLATION:

Provide framed rough wall opening 12-1/2" wide x 26-3/8" high (320 x 670mm). Minimum recessed depth required to finish face of wall for fully recessing the unit is 6-1/2" (165mm). Allow clearance for construction features that may protrude into opening from opposite wall. Coordinate with mechanical engineer to avoid pipes, vents, and conduits. If unit projects above top of wainscot, provide aluminum channel or other filler to eliminate gap between flange and finish face of wall. Mount flange in rough wall depth with four sheet-metal screws, furnished by manufacturer, at points indicated by an *S*. Insert cabinet into flange to wall depth available, then secure unit with four sheet-metal screws, furnished by manufacturer, at points indicated by a *T*.

SPECIFICATION:

Recessed napkin/tampon vendor shall combine two dispensing mechanisms in one cabinet to provide sanitary napkins or tampons at user's option. Unit shall be type-304 stainless steel with all-welded construction; exposed surfaces shall have satin finish. Door shall be 18 gauge (1.2mm), secured to cabinet with a full-length stainless steel piano-hinge, and equipped with two tumbler locks keyed like other Bobrick washroom accessories. Each coin box shall be equipped with a tumbler lock that is keyed differently than door locks. Vendor shall be equipped with 25¢ coin mechanisms and shall carry no brand-name advertising. Manufacturer's service and parts manual shall be provided to the building owner/manager upon completion of project.

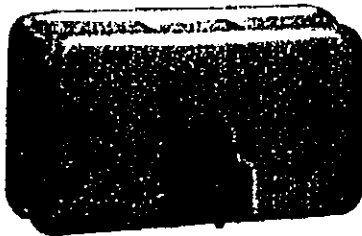
Recessed Napkin/Tampon Vendor shall be Model B-352 25 of Bobrick Washroom Equipment, Inc., Clifton Park, New York; Jackson, Tennessee; Los Angeles, California; Bobrick Washroom Equipment of Canada Ltd., Scarborough, Ontario; Bobrick Washroom Equipment Pty. Ltd., Australia; and Bobrick Washroom Equipment Limited, United Kingdom.



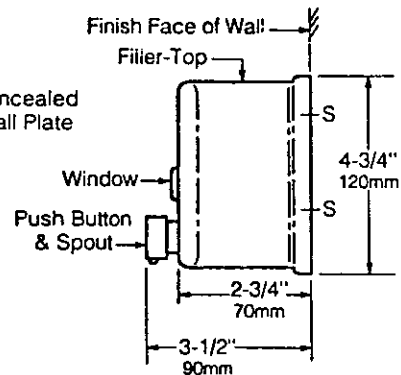
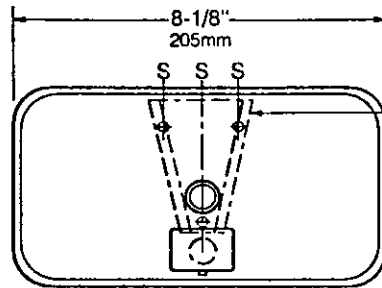
Technical Data

SURFACE-MOUNTED SOAP DISPENSER FOR LIQUID AND LOTION SOAPS AND DETERGENTS

B-2112



Patented



MATERIALS:

Container — 18-8 S, type-304, 22-gauge (0.8mm) stainless steel with satin finish. Body is drawn, one-piece, seamless construction. Back plate has mounting bracket attached. Furnished with concealed wall plate. Equipped with an unbreakable, clear acrylic refill-indicator window and a locked, hinged stainless steel lid for top filling. Capacity: 40 fl oz (1.18 L).

Valve — Black molded plastic push button and spout. Soap head-holding capsule valve. Stainless steel spring. U-packing seal and duckbill.

OPERATION:

Push-in valve dispenses measured amount of liquid and lotions soaps, and synthetic detergents. Valve is operable with one hand, without tight grasping, pinching, or twisting of the wrist, and with less than 5 pounds of force (22.2 N) to comply with barrier-free accessibility guidelines (including ADAAG in U.S.A.). Window indicates when refill is required. The locked, hinged lid opens for top filling only with special key provided. Concealed, vandal-resistant mounting.

Designer's Note: Do not use E4-rated antibacterial soaps (active ingredient PCMX or Triclosan), iodine-based surgical soaps, or alcohol-based antiseptic solutions in this unit; soap valve is not designed to dispense these types of corrosive soaps.

INSTALLATION:

Secure wall plate to the wall with three sheet-metal screws, furnished by manufacturer, at points indicated by an S. Slide mounting bracket of container down onto wall plate and secure unit with furnished locking-screw. For plaster or dry wall construction, provide concealed backing to comply with local building codes and secure with sheet-metal screws furnished. For other wall surfaces, provide fiber plugs or expansion shields for use with sheet-metal screws furnished, or provide 1/8" (3mm) toggle bolts or expansion bolts.

Note: Surface-mount the dispenser plumb and true with valve 6" (150mm) to right or left of lavatory center. Provide 4" (100mm) minimum clearance from the lid to the underside of any horizontal projection.

SPECIFICATION:

Surface-mounted soap dispenser shall be type-304 stainless steel with satin finish. Corrosion-resistant valve shall dispense liquid and lotion soaps, and synthetic detergents. Valve shall be operable with one hand and with less than 5 pounds of force (22.2 N) to comply with barrier-free accessibility guidelines (including ADAAG in U.S.A.). Container shall be equipped with an unbreakable, clear acrylic refill-indicator window; a locked, hinged stainless steel lid for top filling; and shall have a capacity of 40 fl oz (1.18 L). Unit shall have concealed, vandal-resistant mounting. Manufacturer's service and parts manual shall be provided to the building owner/manager upon completion of project.

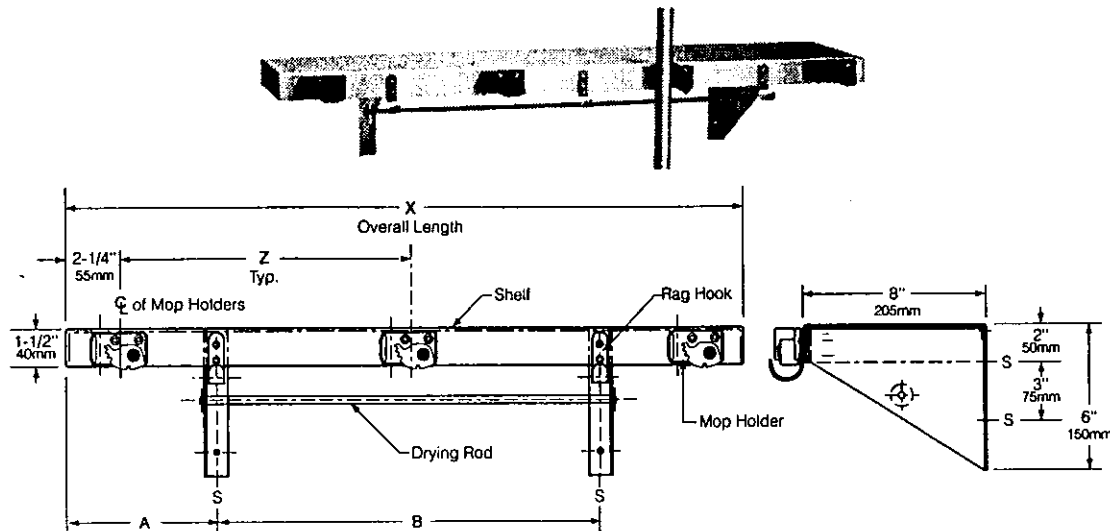
Surface-Mounted Soap Dispenser shall be Model B-2112 of Bobrick Washroom Equipment, Inc., Clifton Park, New York; Jackson, Tennessee; Los Angeles, California; Bobrick Washroom Equipment of Canada Ltd., Scarborough, Ontario; Bobrick Washroom Equipment Pty. Ltd., Australia; and Bobrick Washroom Equipment Limited, United Kingdom.



Technical Data

UTILITY SHELF WITH MOP/BROOM HOLDERS AND RAG HOOKS

B-224



Model Number	Dim. X	No. of Mop Holders	Dim. Z	No. of Rag Hooks	Dim. A	Dim. B
B-224 x 30	30" (762mm)	3	12-3/4" (324mm)	2	6-1/2" (165mm)	17" (432mm)
B-224 x 36	36" (914mm)	4	10-1/2" (267mm)	3	6-1/2" (165mm)	23" (584mm)
B-224 x 48	48" (1219mm)	6	8-3/4" (222mm)	5	6-1/2" (165mm)	35" (889mm)

MATERIALS:

Shelf — 18-8 S, type-304, 18-gauge (1.2mm) stainless steel with satin finish. Shelf has 1-1/2" (38mm) return edge for maximum rigidity.

Mounting Brackets — 18-8 S, type-304, 18-gauge (1.2mm) stainless steel with satin finish; welded to shelf.

Mop/Broom Holders — Spring-loaded rubber cams with antislip coating.

Rag Hooks — 18-8 S, type-304, 16-gauge (1.6mm) stainless steel with satin finish; secured to shelf with rivets.

Drying Rod — 18-8 S, type-304, 1/4" (6mm) diameter stainless steel with satin finish.

OPERATION:

Surface-mounted utility shelf with holders is designed to keep mops and brooms away from wall. Spring-loaded rubber cam holders accommodate mop or broom handles from 7/8" to 1-1/4" (22-32mm) diameter. Hooks for conveniently storing rags are located on front of shelf. Rod for hanging wet rags is located below shelf between mounting brackets.

INSTALLATION:

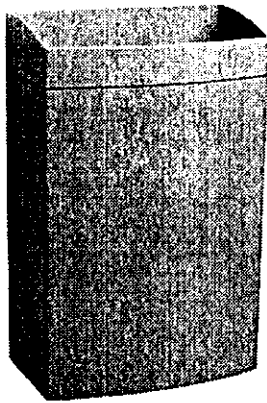
Secure unit to wall with four sheet-metal screws, furnished by manufacturer, at points indicated by an S. For plaster or dry wall construction, provide concealed backing to comply with local building codes, then secure unit with sheet-metal screws furnished. For other wall surfaces, provide fiber plugs or expansion shields for use with sheet-metal screws furnished, or provide 1/8" (3mm) toggle bolts or expansion bolts.

SPECIFICATION:

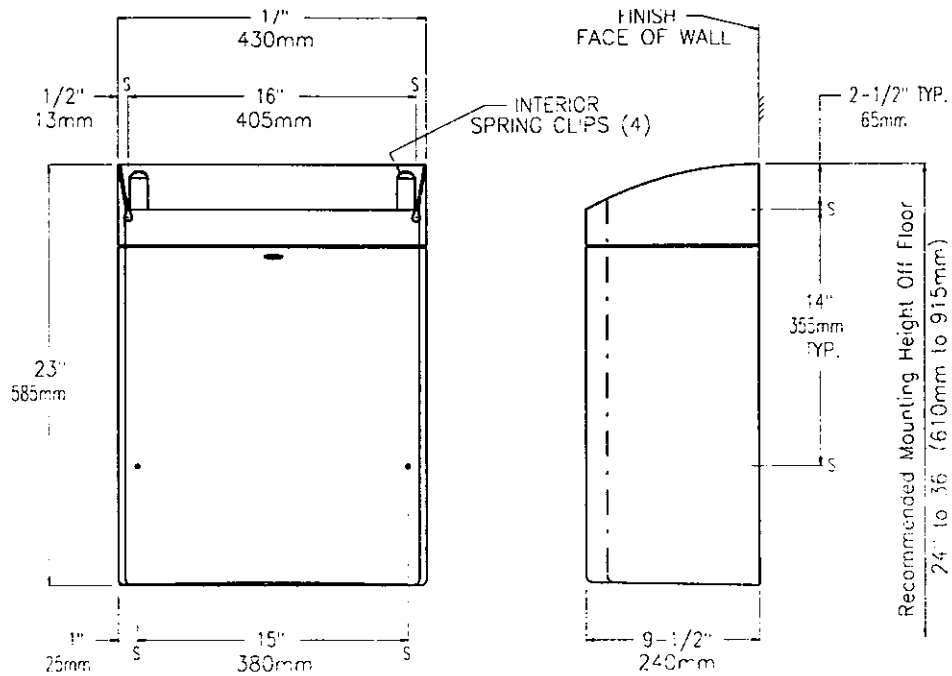
Surface-mounted utility shelf with mop/broom holders and rag hooks shall be type-304 stainless steel with satin finish. Shelf shall be 18 gauge (1.2mm) with 1-1/2" (38mm) return edge. Mounting brackets, welded to shelf, shall be 18 gauge (1.2mm). Unit shall be _____ (insert length), 8" (203mm) deep with _____ (insert number) spring-loaded rubber cam holders and _____ (insert number) rag hooks. Manufacturer's service and parts manual shall be provided to the building owner/manager upon completion of project.

Utility Shelf With Mop/Broom Holders And Rag Hooks shall be Model _____ (insert model number) of Bobrick Washroom Equipment, Inc., Clifton Park, New York; Jackson, Tennessee; Los Angeles, California; Bobrick Washroom Equipment of Canada Ltd., Scarborough, Ontario; Bobrick Washroom Equipment Pty. Ltd., Australia; and Bobrick Washroom Equipment Limited, United Kingdom.

Please review
and advise.
→ See also B-2260



Patented



MATERIALS:

Durable, impact-resistant grey polymer with high-gloss finish on exposed surfaces. Front of waste receptacle has same degree of arc as other Bobrick Matrix Series washroom accessories. Radius on edges and top of waste receptacle complement other Matrix Series accessories. Equipped with four mounting screw holes and four liner clips for securing optional vinyl liner. Capacity: 13 gal. (49.2 L).

OPERATION:

Top edge has radius for safe handling. The space between bottom of waste receptacle and the floor when unit is properly mounted facilitates floor cleaning. For Liner Clip Replacement Kit (set of 2 clips), order Bobrick Part No. 5277-13. Reusable Heavy-Gauge Vinyl Liner is available as an optional accessory: order Bobrick Part No. 5277-12

INSTALLATION:

Mount unit on wall with four sheet-metal screws (not furnished) at points indicated by an S. For plaster or dry wall construction, provide concealed backing to comply with local building codes, then secure unit with sheet-metal screws. For other wall surfaces, provide fiber plugs or expansion shields for use with sheet-metal screws, or provide 1/8" (3mm) toggle bolts or expansion bolts.

To Mount on Tile Wall: Clean tile wall surface. Use double-sided roll tape, 4" wide x 42-1/2" long x 1/8" thick (100 x 1080 x 3mm) (not furnished by manufacturer). Apply 2 strips of tape vertically to back of receptacle, flush with bottom of receptacle. Stick receptacle to wall and let it set for 24 hours before use.

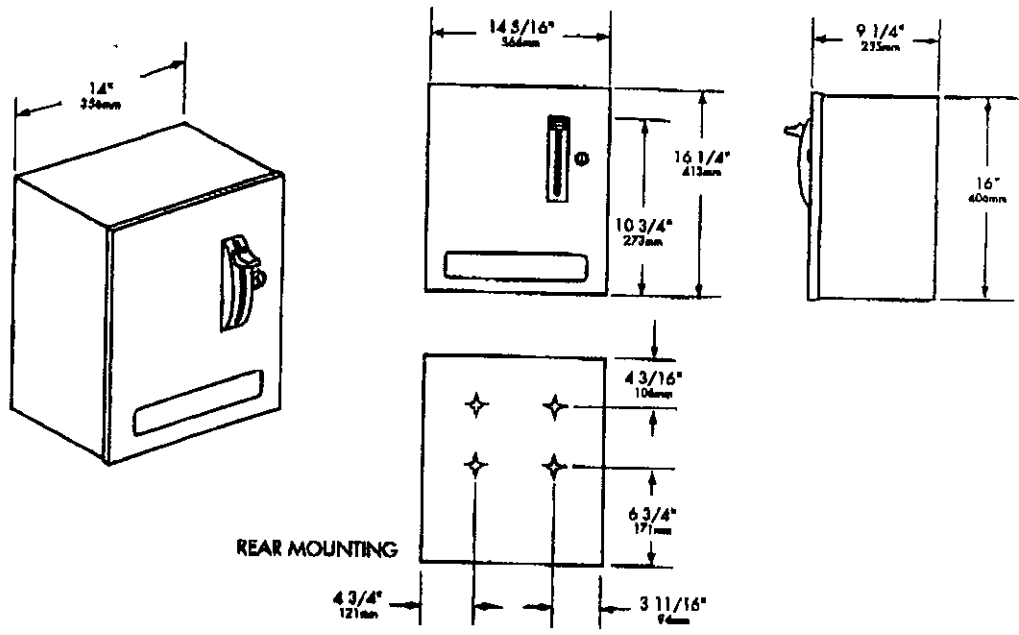
SPECIFICATION:

Surface-mounted waste receptacle shall be durable, impact-resistant grey polymer with high-gloss finish on exposed surfaces. Front of waste receptacle shall have same degree of arc as other Bobrick Matrix™ Series accessories in the washroom. Radius on edges and top of waste receptacle shall complement other Bobrick Matrix™ Series washroom accessories. Top edge shall have radius for safe handling. Waste receptacle shall be equipped with interior clips for securing optional vinyl liner and shall have four mounting screw holes. Unit shall have a minimum capacity of 13 gal. (49.2 L). Manufacturer's service and parts manual shall be provided to the building owner/manager upon completion of project.

Surface-Mounted Waste Receptacle shall be Model B-5277 of Bobrick Washroom Equipment, Inc., Clifton Park, New York; Jackson, Tennessee; Los Angeles, California; Bobrick Washroom Equipment of Canada Ltd., Scarborough, Ontario; Bobrick Washroom Equipment Pty. Ltd., Australia; and Bobrick Washroom Equipment Limited, United Kingdom.



TD-11RP Towel Dispenser - Surfaced Mounted



Construction:

Fabricated 18-8 type 304 heavy gauge stainless steel. All welded construction with exposed surfaces having a #4 satin finish. Door is 18 gauge (1.2mm) secured to cabinet with full length stainless steel piano hinge and equipped with tumbler lock. Roll towel mechanism is adjustable to dispense preset lengths of towels from standard core rolls, 8" (203mm) or 9" (229mm) wide, 800' (243,840mm) length.

Installation:

Mount unit on wall with four #10 x 1-1/4" (4.8 x 32mm) sheet-metal screws

Overall Dimensions:

14" (356mm)W x 16-1/4" (413mm)H x 9-1/4" (235mm)D

ADA Guide:

Access to paper towels should be 15" (381mm) to 48" (1,219mm) above the finish floor to allow forward and side reach by people in wheelchairs. Hinged panels covering waste receptacle openings should not require more than 5 pounds of force to open. Units should not project more than 4" (102mm) from the wall. Operable with one hand and without tight grasping, pinching, or twisting of the wrist. Activation of lever should not require more than 5 pounds of force when unit is completely filled.

Options:

TD-12RP recessed roll towel dispenser; same as TD-11RP except requires 15" (381mm)W x 16-3/4" (425mm)H x 10" (254mm) wall opening

Notes:

Wood blocking is preferable behind all wall surfaces. If wood blocking is not available, the following fasteners are suggested:
 Tile/Masonry - Plastic or lead anchors
 Plaster/Drywall - Toggle bolts

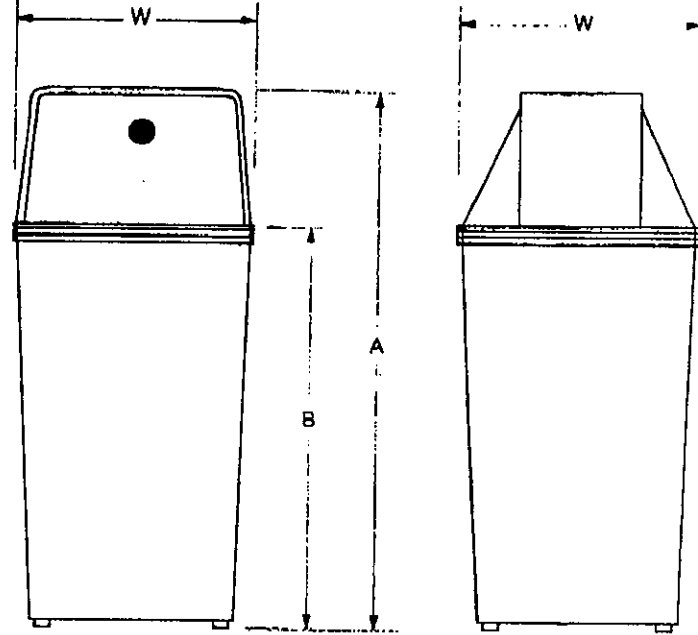
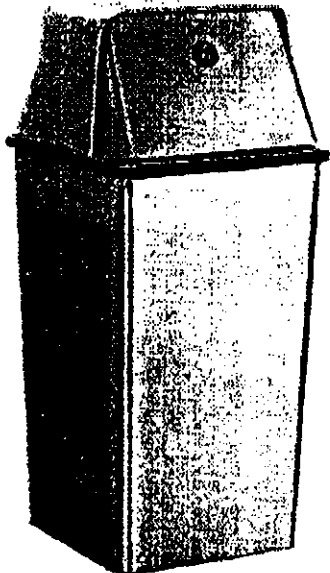
Manufacturer reserves the right to make changes in design or dimensions without formal notice.

Alternate



STAINLESS STEEL WASTE RECEPTACLES

22 60
~~B-2250~~



Model Number	Capacity	A	B	W	Optional Accessory Vinyl Liner Part No.
B-2250	13 gal. (49.2 L)	29-1/2" (750mm)	22" (560mm)	12-1/2" x 12-1/2" (320 x 320mm)	2250-3
<i>wo/Top</i> B-2260	13 gal. (49.2 L)	—	22" (560mm)	12-1/2" x 12-1/2" (320 x 320mm)	2250-3
B-2270	21 gal. (79.5 L)	37-1/2" (950mm)	30" (760mm)	14" x 14" (355 x 355mm)	2270-3
B-2280	21 gal. (79.5 L)	—	30" (760mm)	14" x 14" (355 x 355mm)	2270-3
B-2290	36 gal. (136.3 L)	37-1/2" (950mm)	30" (760mm)	18" x 18" (455 x 455mm)	2290-3

MATERIALS:

Waste Receptacle — 22-gauge (0.8mm) stainless steel with satin finish. Equipped with vinyl bumper strip and rubber feet. Hooks are provided to attach optional, removable liner (not provided) to upper interior corners.

Cover — 22-gauge (0.8mm) stainless steel with satin finish. Two spring-loaded, self-closing doors, which have an international graphic symbol to identify waste disposal, are secured with full-length, stainless steel piano-hinges.

OPERATION:

Entire cover is removable for easy servicing of receptacle. Vinyl bumper strip and rubber feet on waste receptacle protect wall and floor surfaces.

Designer's Note: Vinyl liners for waste receptacle are available from Bobrick as an accessory. Check the chart above for correct liner part number to order.

SPECIFICATION:

Waste receptacle shall be 22-gauge (0.8mm) stainless steel. Exposed surfaces shall have satin finish. Waste receptacle shall be equipped with vinyl bumper strip and rubber feet. Capacity shall be _____ (insert capacity). Manufacturer's service and parts manual shall be provided to the building owner/manager upon completion of project.

Waste Receptacle shall be Model _____ (insert model number) of Bobrick Washroom Equipment, Inc. Clifton Park, New York; Jackson, Tennessee; Los Angeles, California; Bobrick Washroom Equipment of Canada Ltd., Scarborough, Ontario; Bobrick Washroom Equipment Pty. Ltd., Australia; and Bobrick Washroom Equipment Limited, United Kingdom.